

GATE VALVE SOFT SEAL TYPE (TYPE S) INSIDE SCREW CAP TYPE

- COMPATIBLE WITH THE JAPAN WATER WORKS ASSOCIATION STANDARD (JWWA B125 SYNTHETIC RESIN SOFT SEAL SLUICE VALVE), THE VALVE CAN BE SAFELY USED FOR WATER DISTRIBUTION/SUPPLY. (SIZE: 125 mm)
- THE CHANNEL SURFACE FREE FROM IRREGULARITIES ALLOWS FOR SMOOTH FLOW. THE RUBBER SOFT SEAL ENSURES EXCELLENT WATER TIGHTNESS.
- COMPACT DESIGN ALLOWS FOR SHALLOW DEPTH MOUNTING.

BASIC SPECIFICATIONS

VALVE TYPE ————— GATE VALVE SOFT SEAL TYPE (TYPE S)
INSIDE SCREW CAP TYPE

SIZE ————— 65 mm, 125 mm, 200 mm
(2 1/2 inch, 5 inch, 8 inch)

BODY MATERIAL ————— HI-PVC

SEAL MATERIAL / SEAT ————— SBR NBR

O-RING ————— EPDM

CONNECTION / FLANGED — JIS10K, DIN, ANSI

| | FLUID TEMPERATURE | MAXIMUM WORKING PRESSURE (NORMAL TEMPERATURE) MPa(kgf/cm ²) | CONNECTION METHOD |
|--------|-------------------|---|-------------------|
| HI-PVC | -10°C ~ 50°C | 1.0 {10.2} | FLANGED |

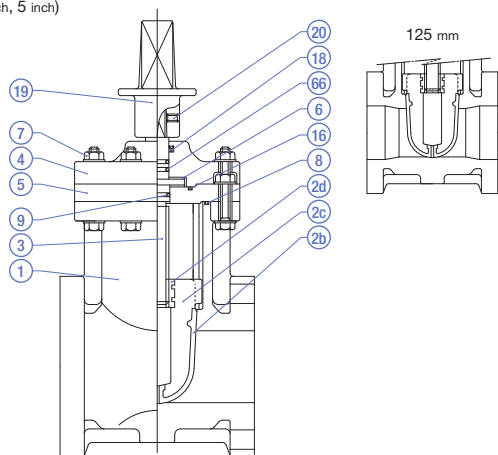
NOTES The maximum working pressure is the value including the water hammer pressure. Be careful that the maximum working pressure is not exceeded during use.
* Concerning the allowable pressure for each temperature and material, see the technical documents at the end of this catalog.

MANUAL

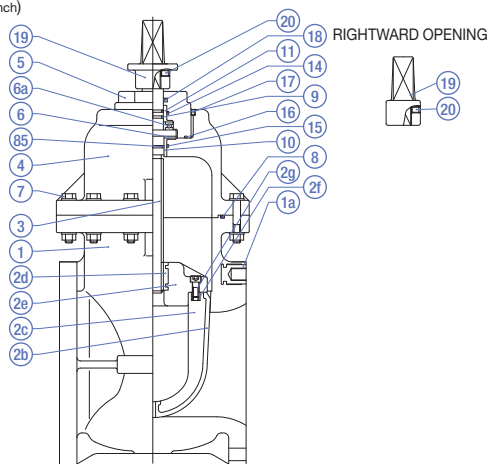


PARTS LIST MANUAL

65 mm, 125 mm
(2 1/2 inch, 5 inch)



200 mm
(8 inch)



| PART NO. / NAME | QTY | MATERIAL | PART NO. / NAME | QTY | MATERIAL | PART NO. / NAME | QTY | MATERIAL |
|-------------------------------------|-----|----------|-----------------------|-----------|-----------------|------------------|-----|------------------------------|
| 1 BODY | 1 | HI-PVC | 4 BONNET (LID) (A) | 1 | HI-PVC | 16 O-RING (D) | 1 | EPDM, SBR4, NBR |
| 1a EMBEDDED BODY FITTING (1) | 4 | C3604 | 5 BONNET (LID) (B) | 1 | HI-PVC | 10 BUSH (A)(2) | 1 | PP |
| 2b SEAT | 1 | SBR, NBR | 6 THRUST RING(5) | 1 set / 1 | PP | 11 BUSH (B)(2) | 1 | PP |
| 2c GATE (BODY) (A) | 1 | C-PVC | 6a THRUST BEARING (2) | 1 | SUU2 | 17 SCREW | 1 | SUS304 |
| 2d GATE (BODY) EMBEDDED FITTING (A) | 1 | BC6 | 7 BOLT/NUT | — | SUS304 | 18 DUST SEAL | 1 | EPDM |
| 2e GATE (BODY) (B)(2) | 1 | PP | 8 O-RING (B) | 1 | EPDM, SBR4, NBR | 19 CAP (A) | 1 | FC200 (EPOXY POWDER COATING) |
| 2f GATE (BODY) EMBEDDED FITTING (B) | 4 | C3604 | 9 O-RING (C)(3) | 1-2 | EPDM, SBR4, NBR | 20 SET SCREW (B) | 1 | SUS304 |
| 2g BOLT (A) (2) | 4 | SUS304 | 14 O-RING (E)(2) | 2 | EPDM, SBR4, NBR | 66 O-RING (H) | 2 | EPDM |
| 3 STEM | 1 | SUS304 | 15 O-RING (F)(2) | 1 | EPDM, SBR4, NBR | 85 O-RING (F)(2) | 1 | EPDM, SBR4, NBR |

NOTES (1) is used only for 10K 200 mm. (2) is used only for 200 mm. (3) The quantity of use is 1 piece for 65 mm and 125 mm and 2 pieces for 200 mm. (4) Only 200 mm is available.
(5) The quantity of use is 1 set (2 pieces) for 65 mm and 125 mm and 1 piece for 200 mm.
* For 65 mm and 200 mm, the cap (A) is coated with epoxy powder (white).

PRODUCT MODEL CODE LIST
[MANUAL](#)

| ACTUATION | TYPE | OPERATING SYSTEM | STEM MATERIAL / OPEN DIRECTION | BODY MATERIAL | SEAL MATERIAL | CONNECTION / STANDARD | SIZE |
|-------------------|-------------------------|------------------|-----------------------------------|---------------|---------------|--|------------------------------------|
| V | SG | C | * | I | S | * | *** |
| V MANUAL VALVE | SG CONVENTIONAL TYPE | C TOP CAP | R SUS, RIGHT L SUS, LEFT | I HI-PVC | S SBR | F1 FLANGED, 10K FW — FD FLANGED, DIN FA FLANGED, ANSI | 065 65mm 125 125mm 200 200mm |

NOTES

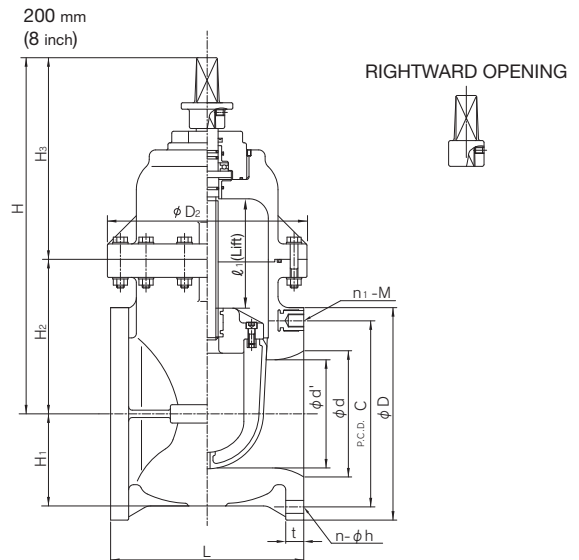
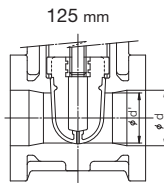
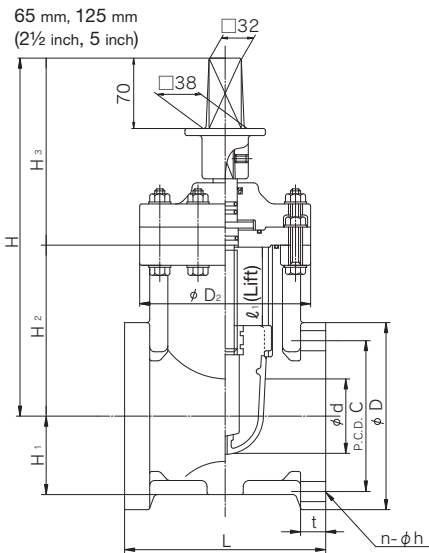
- Tapping type is the standard for all the cases.
- The price above is the set price for the valve, full-face gaskets (2 pcs), and SUS plain washer.
- For those compatible with the waterworks standard, size 65 mm is not available.

MANUAL

GATE VALVE SOFT SEAL TYPE (TYPE S) INSIDE SCREW CAP TYPE

TYPE—VSGC

CONNECTION / FLANGED—JIS, DIN, ANSI



■ JIS, DIN (Unit: mm)

| mm | d | d' | D ₂ | ℓ ₁ | H ₁ | H ₂ | H ₃ | H | JIS | | | | | | | | | | | | | |
|-----|-----|-----|----------------|----------------|----------------|----------------|----------------|-----|---------|-----|----|----|----------------|-----|-----|------------|---|---|---|---|---|---|
| | | | | | | | | | FLANGED | | | | | | | WATERWORKS | | | | | | |
| | | | | | | | | | D | C | n | h | n ₁ | M | L | t | D | C | n | h | L | t |
| 65 | 65 | — | 155 | 67 | 68 | 152 | 169 | 321 | 175 | 140 | 4 | 19 | — | — | 190 | 24 | — | — | — | — | — | — |
| 125 | 125 | 110 | 235 | 112 | 89 | 227 | 200 | 427 | 250 | 210 | 8 | 23 | — | — | 260 | 27 | — | — | — | — | — | — |
| 200 | 196 | 168 | 310 | 175 | 143 | 240 | 315 | 555 | 330 | 290 | 10 | 23 | 2 | M20 | 290 | 28 | — | — | — | — | — | — |

| mm | DIN | | | | | | | | | | | |
|-----|---------------------|-----|---|----|----------------|----------|-----|----|----------------|----------------|---|---|
| | FLANGED DIN PN10 | | | | | THREADED | | | | | | |
| | D | C | n | h | n ₁ | M | L | t | D ₁ | d ₂ | ℓ | L |
| 65 | 185 | 145 | 4 | 18 | — | — | 210 | 24 | — | — | — | — |
| 125 | 250 | 210 | 8 | 18 | — | — | 260 | 27 | — | — | — | — |
| 200 | 340 | 295 | 6 | 22 | 2 | M20 | 300 | 28 | — | — | — | — |

■ ANSI (Unit: inch)

| inch | mm | d | d' | D ₂ | ℓ ₁ | H ₁ | H ₂ | H ₃ | H | ANSI | | | | | | | | | | |
|-------|-----|------|------|----------------|----------------|----------------|----------------|----------------|-------|---------------|-------|---|------|---|-------|-------|----------------|---|---|---|
| | | | | | | | | | | FLANGED | | | | | | | THREADED | | | |
| | | | | | | | | | | ANSI Class150 | | | | | | | d ₂ | ℓ | L | |
| | D | C | n | h | n ₁ | M | L | t | | | | | | | | | | | | |
| 2 1/2 | 65 | 2.56 | — | 6.10 | 2.64 | 2.68 | 5.98 | 6.65 | 12.64 | 7.00 | 5.50 | 4 | 0.75 | — | — | 7.50 | 0.94 | — | — | — |
| 5 | 125 | 4.92 | 4.33 | 9.25 | 4.41 | 3.50 | 8.94 | 7.87 | 16.81 | 10.00 | 8.50 | 8 | 0.88 | — | — | 10.24 | 1.06 | — | — | — |
| 8 | 200 | 7.72 | 6.61 | 12.20 | 6.89 | 5.63 | 9.45 | 12.40 | 21.85 | 13.50 | 11.75 | 6 | 0.88 | 2 | W 3/4 | 11.50 | 1.30 | — | — | — |