

GATE VALVE STANDARD TYPE (TYPE P) INSIDE SCREW CAP TYPE

- FOR ALL THE WETTED PARTS, CORROSION-RESISTANT MATERIAL IS USED.
- LIGHTWEIGHT AND HIGHLY IMPACT RESISTANT.
- MADE OF ROBUST, LIGHTWEIGHT AND IMPACT-RESISTANT HARD VINYL CHLORIDE (HI-PVC), WITH A WEIGHT OF 1/3 TO 1/5 COMPARED TO METAL VALVES.
- COMPACT DESIGN ALLOWS FOR SHALLOW DEPTH MOUNTING (SIZE: 32 - 200 mm).

BASIC SPECIFICATIONS

VALVE TYPE ————— GATE VALVE STANDARD TYPE (TYPE P)
INSIDE SCREW CAP TYPE

SIZE ————— 32 mm—350 mm (1 1/4 inch—14 inch)

BODY MATERIAL ————— HI-PVC

SEAL MATERIAL / O RING ————— EPDM etc.

CONNECTION / FLANGED — JIS10K, DIN, ANSI
THREADED—Rc, Rp, NPT

	FLUID TEMPERATURE	MAXIMUM WORKING PRESSURE (NORMAL TEMPERATURE) MPa(kgf/cm ²)			CONNECTION METHOD	
		32mm—200mm	250mm	300 mm—350 mm	FLANGED	THREADED
HI-PVC	-10℃~50℃	1.0 {10.2}	0.75 {7.7}	0.5 {5.1}	○	○

NOTES The maximum working pressure is the value including the water hammer pressure. Be careful that the maximum working pressure is not exceeded during use.
* Concerning the allowable pressure for each temperature and material, see the technical documents at the end of this catalog.

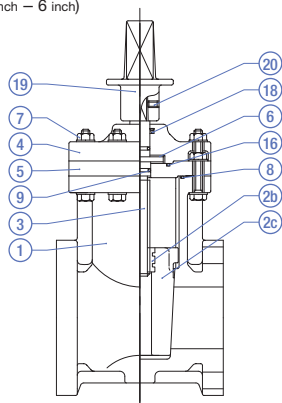
MANUAL



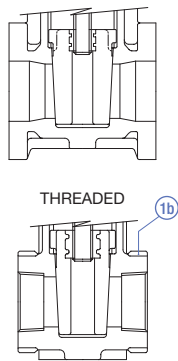
PARTS LIST

MANUAL

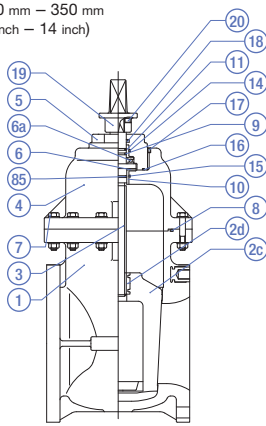
32 mm – 150 mm
(1 1/4 inch – 6 inch)



125mm, 150mm



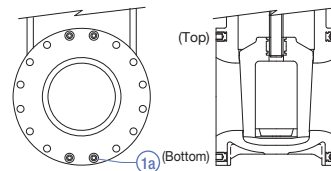
200 mm – 350 mm
(8 inch – 14 inch)



RIGHTWARD OPENING



DETAIL OF EMBEDDED BODY FITTING



PART NO. / NAME	QTY	MATERIAL	PART NO. / NAME	QTY	MATERIAL	PART NO. / NAME	QTY	MATERIAL
① BODY	1	HI-PVC	⑥ THRUST RING ⁽³⁾	1 set / 1	PP	⑮ O-RING (F) ⁽¹⁾	1	EPDM, etc.
⑮ EMBEDDED BODY FITTING ⁽¹⁾	-	C3604	⑥a THRUST BEARING ⁽¹⁾	1	SUJ2	⑯ O-RING (D)	1	EPDM, etc.
⑮b RING ⁽²⁾	1 SET	STPG	⑦ BOLT/NUT	—	SUS304	⑰ SET SCREW (A) ⁽¹⁾	1	SUS304
②c GATE (BODY) (A)	1	PP	⑧ O-RING (B)	1	EPDM, etc.	⑱ DUST SEAL	1	EPDM
② GATE (BODY) EMBEDDED FITTING (A)	1	BC6	⑨ O-RING (C)	2	EPDM, etc.	⑲ CAP (A)	1	FC200 (EPOXY RESIN POWDER COATING)
③ STEM	1	SUS403	⑩ BUSH (A) ⁽¹⁾	1	PP	⑳ SET SCREW (B)	1	SUS304
④ BONNET (LID) (A)	1	HI-PVC	⑪ BUSH (B) ⁽¹⁾	1	PP			
⑤ BONNET (LID) (B)	1	HI-PVC	⑬ O-RING (E) ⁽¹⁾	1	EPDM, etc.			

NOTES (1) is used for sizes of 200 mm or more (2) is used for threaded type (epoxy paint after unichrome plating).
(3) The quantity of use is 1 set (2 pieces) for 150 mm or less and 1 piece for 200 mm or more.

PRODUCT MODEL CODE LIST
MANUAL

ACTUATION	TYPE	OPERATING SYSTEM	STEM MATERIAL / OPEN DIRECTION	BODY MATERIAL	SEAL MATERIAL	CONNECTION / STANDARD	SIZE
V	CG	C	*	I	E	*	***
V MANUAL VALVE	CG STANDARD TYPE	C TOP CAP	R SUS, RIGHT L SUS, LEFT	I HI-PVC	E EPDM	F1 FLANGED, 10K FD FLANGED, DIN FA FLANGED, ANSI NJ THREADED, JIS ND THREADED, DIN NA THREADED, ANSI	032 32mm 350 350mm

NOTES

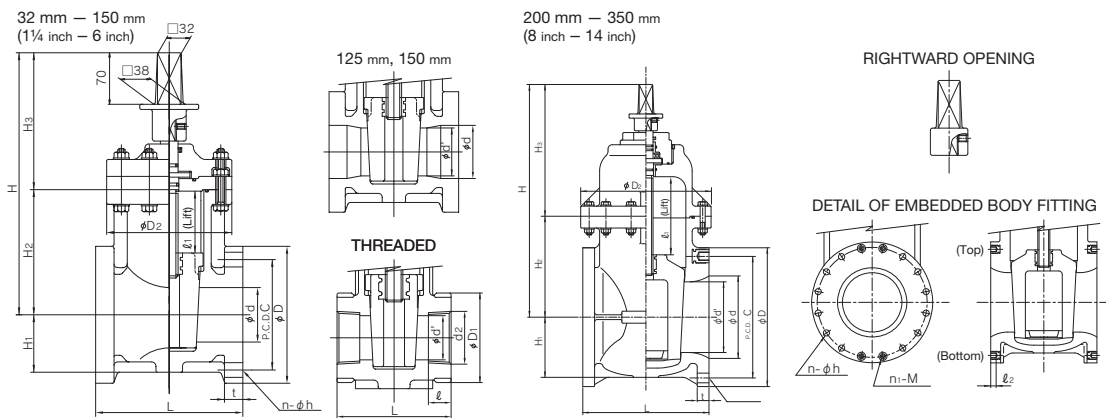
- Tapping type is the standard for all the cases.
- The price above is the set price for the valve, full-face gaskets (2 pcs), and SUS plain washer.
- The product model code of size 80 mm compatible with the waterworks standard is "075".
- For those compatible with the waterworks standard, size 32 mm and 65 mm are not available.

MANUAL

GATE VALVE STANDARD TYPE (TYPE P) INSIDE SCREW CAP TYPE

TYPE—VCGC

CONNECTION / FLANGED—JIS, DIN, ANSI THREADED—Rc, Rp, NPT



■ JIS, DIN (Unit: mm)

mm	d	d'	D ₂	ℓ ₁	H	H ₁	H ₂	H ₃	JIS																		
									FLANGED								THREADED										
									JIS 10K				WATERWORKS				D ₁				d ₂						
32	40	30	120	49	268	50	107	161	135	100	4	19	—	—	165	22	—	—	—	—	—	—	90	Rc 1 1/4	22	115	
40	40	—	120	49	268	50	107	161	140	105	4	19	—	—	165	22	—	—	—	—	—	—	90	Rc 1 1/2	25	115	
50	50	—	130	60	299	58	134	165	155	120	4	19	—	—	180	23	—	—	—	—	—	—	102	Rc 2	28	130	
65	65	—	155	75	321	68	152	169	175	140	4	19	—	—	190	24	—	—	—	—	—	—	—	—	—	—	—
75(80)	75	—	170	85	357	77	170	187	185	150	8	19	—	—	200	25	—	—	—	—	—	—	—	—	—	—	—
100	100	—	195	110	396	89	207	189	210	175	8	19	—	—	230	27	—	—	—	—	—	—	—	—	—	—	—
125	125	110	235	117	427	89	227	200	250	210	8	23	—	—	260	27	—	—	—	—	—	—	—	—	—	—	—
150	150	130	270	138	466	102	263	203	280	240	8	23	—	—	270	28	—	—	—	—	—	—	—	—	—	—	—
200	196	168	310	180	555	143	240	315	330	290	10	23	2	M20	290	28	—	—	—	—	—	—	—	—	—	—	—
250	247	210	360	226	675	175	270	405	400	355	12	25	—	—	380	30	—	—	—	—	—	—	—	—	—	—	—
300	298	255	410	273	772	195	320	452	445	400	14	25	2	M22	400	31	—	—	—	—	—	—	—	—	—	—	—
350	348	297	440	319	875	230	310	565	490	445	12	25	4	M22	430	32	—	—	—	—	—	—	—	—	—	—	—

mm	DIN											
	FLANGED					THREADED						
	DIN PN10											
32	—	—	—	—	—	—	—	—	—	—		
40	150	110	4	18	—	—	165	22	90	Rp 1 1/2	25	115
50	165	125	4	18	—	—	180	23	90	Rp 2	28	130
65	185	145	4	18	—	—	210	24	—	—	—	—
75(80)	200	160	8	18	—	—	240	25	—	—	—	—
100	220	180	8	18	—	—	250	27	—	—	—	—
125	250	210	8	18	—	—	260	27	—	—	—	—
150	285	240	8	22	—	—	280	27	—	—	—	—
200	340	295	6	22	2	M20	300	28	—	—	—	—
250	395	350	12	22	—	—	380	30	—	—	—	—
300	445	400	10	22	2	—	400	31	—	—	—	—
350	505	460	12	22	4	—	430	32	—	—	—	—

■ ANSI (Unit: inch)

inch	mm	d	d'	D ₂	ℓ ₁	H	H ₁	H ₂	H ₃	ANSI											
										FLANGED						THREADED					
										ANSI CLASS150						d ₂					
1 1/2	40	1.57	—	4.72	1.93	10.55	1.97	4.21	6.34	5.00	3.88	4	0.62	—	—	6.50	0.87	1 1/2-11 1/2 NPT	0.98	4.53	
2	50	1.97	—	5.12	2.36	11.77	2.28	5.28	6.50	6.00	4.75	4	0.75	—	—	7.00	0.91	2-11 1/2 NPT	1.10	5.12	
2 1/2	65	2.56	—	6.10	2.95	12.64	2.68	5.98	6.65	7.00	5.50	4	0.75	—	—	7.50	0.94	—	—	—	
3	75(80)	2.95	—	6.69	3.35	14.06	3.03	6.69	7.36	7.00	6.00	4	0.75	—	—	8.00	0.98	—	—	—	
4	100	3.94	—	7.68	4.33	15.59	3.50	8.15	7.44	9.00	7.50	8	0.75	—	—	9.00	1.06	—	—	—	
5	125	4.92	4.33	9.25	4.61	16.81	3.50	8.94	7.87	10.00	8.50	8	0.88	—	—	10.24	1.06	—	—	—	
6	150	5.91	5.12	10.63	5.43	18.35	4.02	10.35	7.99	11.00	9.50	8	0.88	—	—	10.50	1.06	—	—	—	
8	200	7.72	6.61	12.20	7.09	21.85	5.63	9.45	12.40	13.50	11.75	6	0.88	2	W 3/4	11.50	1.30	—	—	—	
10	250	9.72	8.27	14.17	8.90	26.57	6.89	10.63	15.94	16.00	14.25	12	1.00	—	—	14.96	1.18	—	—	—	
12	300	11.73	10.04	16.14	10.75	30.39	7.68	12.60	17.80	19.00	17.00	10	1.00	2	W 7/8	15.75	1.22	—	—	—	
14	350	13.70	11.69	17.32	12.56	34.45	9.06	12.20	22.24	21.00	18.75	8	1.12	4	W 1	16.93	1.26	—	—	—	