

# GATE VALVE STANDARD TYPE (TYPE P) INSIDE SCREW ROUND HANDLE TYPE

- EQUIPPED WITH OPENING INDICATOR UNDER THE HANDLE TO ALLOW FOR EASY CHECK OF OPENING DEGREE OF THE VALVE.
- FOR ALL THE WETTED PARTS, CORROSION-RESISTANT MATERIAL IS USED.
- MADE OF ROBUST, LIGHTWEIGHT AND IMPACT-RESISTANT HARD VINYL CHLORIDE (HI-PVC), WITH A WEIGHT OF 1/3 TO 1/5 COMPARED TO METAL VALVES.

**NOTES** (1) For the round handle type, directly hold the round handle when opening or closing the valve. If a turning bar or similar tool is used to open or close the valve, the handle will be broken.  
 (2) Concerning the flanged type compatible with the waterworks and JIS10K standards, the products of sizes of 40 to 150 mm are registered as valves certified by the Quality Certification Center, Japan Water Works Association.

\* Concerning the allowable pressure for each temperature and material, see the technical documents at the end of this catalog.

## BASIC SPECIFICATIONS

VALVE TYPE ————— GATE VALVE STANDARD TYPE (TYPE P)  
 INSIDE SCREW ROUND HANDLE TYPE

SIZE ————— 32 mm—350 mm (1 1/4 inch—14 inch)

BODY MATERIAL ————— HI-PVC

SEAL MATERIAL / O-RING — EPDM etc.

CONNECTION / FLANGED — JIS5K, JIS10K, DIN, ANSI

THREADED — Rc, Rp, NPT

	FLUID TEMPERATURE	MAXIMUM WORKING PRESSURE (NORMAL TEMPERATURE) MPa(kgf/cm <sup>2</sup> )			CONNECTION METHOD	
		32mm—200mm	250mm	300 mm*350 mm	FLANGED	THREADED
HI-PVC	-10°C~50°C	1.0 {10.2}	0.75 {7.7}	0.5 {5.1}	○	○

**NOTES** The maximum working pressure is the value including the water hammer pressure. Be careful that the maximum working pressure is not exceeded during use.

\* Concerning the allowable pressure for each temperature and material, see the technical documents at the end of this catalog.

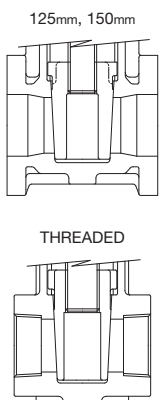
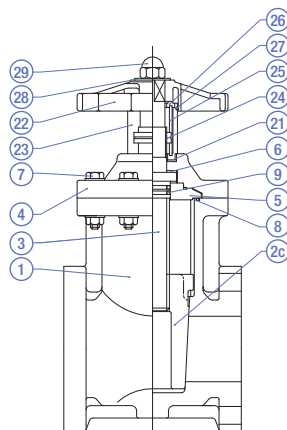
MANUAL



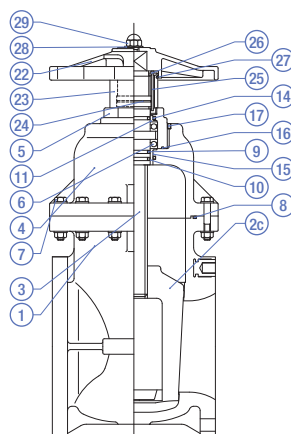
## PARTS LIST

MANUAL

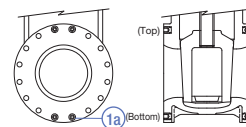
32 mm – 150 mm (1 1/4 inch – 6 inch) <Stem: U-PVC>



200 mm – 350 mm (8 inch – 14 inch) <Stem: U-PVC>



DETAIL OF EMBEDDED BODY FITTING



PART NO. / NAME	QTY	MATERIAL	PART NO. / NAME	QTY	MATERIAL	PART NO. / NAME	QTY	MATERIAL
1 BODY	1	HI-PVC	8 O-RING (B)	1	EPDM, etc.	22 HANDLE	1	PP
1a EMBEDDED BODY FITTING (1)	—	C3604	9 O-RING (C) (2)	2-3	EPDM, etc.	23 OPENING COVER	1	PC
2c GATE (BODY) (A)	1	PP	10 BUSH (A) (1)	1	PP	24 OPENING RING	1	U-PVC
3 STEM	1	U-PVC	11 BUSH (B) (1)	1	PP	25 GUIDE PIN	1	SUS304
4 BONNET (LID) (A)	1	HI-PVC	14 O-RING (E) (1)	1	EPDM, etc.	26 GUIDE PIN SUPPORT PLATE	1	U-PVC
5 BONNET (LID) (B)	1	HI-PVC	15 O-RING (F) (1)	1	EPDM, etc.	27 O-RING (G)	1	EPDM
6 THRUST RING 2)	1 SET	PP	16 O-RING (D) (1)	1	EPDM, etc.	28 WASHER	1	U-PVC
6a THRUST BEARING (1)	1 SET	SUJ2	17 SET SCREW (A) (1)	1	SUS304	29 UNION NUT	1	SUS304
7 BOLT/NUT	—	SUS304	21 PACKING	1	EPDM			

**NOTES** (1) is used for sizes of 200 mm or more (2) is used for sizes of 150 mm or less. (3) The quantity of use is 2 pieces for 150 mm or less and 3 pieces for 200 mm or more.

\* The parts list above is applicable when the stem is made of U-PVC.

**PRODUCT MODEL CODE LIST**  
[MANUAL](#)

ACTUATION	TYPE	OPERATING SYSTEM	STEM MATERIAL / OPEN DIRECTION	BODY MATERIAL	SEAL MATERIAL	CONNECTION / STANDARD	SIZE
V	CG	M	*	I	E	*	***
⋮	⋮	⋮	⋮	⋮	⋮	⋮	⋮
V MANUAL VALVE	CG GATE	M ROUND HANDLE	J RESIN, LEFT R SUS, RIGHT	I HI-PVC	E EPDM	F1 FLANGED, 10K FD FLANGED, DIN FA FLANGED, ANSI NJ THREADED	032 32mm 350 350mm

**NOTES**

- The SUS stem type opens only rightward. The resin stem type opens only leftward.
- For 200 to 350 mm, tapping type is the standard.
- The price above is the set price for the valve, full-face gaskets (2 pcs), and SUS plain washer.
- The product model code of size 80 mm compatible with the waterworks standard is "075".
- For the round handle type, resin stems compatible with JISSK are also available. (40 mm to 150 mm)
- For those compatible with the waterworks standard, size 32 mm and 65 mm are not available.

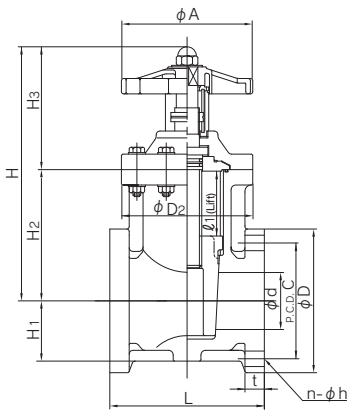
**MANUAL**

**GATE VALVE STANDARD TYPE (TYPE P) INSIDE SCREW ROUND HANDLE TYPE**

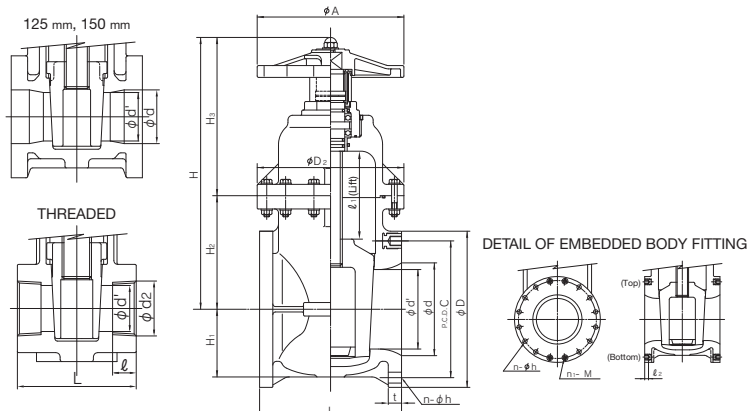
TYPE—VCGM

CONNECTION / FLANGED—JIS, DIN, ANSI THREADED—Rc, Rp, NPT

32 mm – 150 mm (1¼ inch – 6 inch) <Stem: U-PVC>



200 mm – 350 mm (8 inch – 14 inch) <Stem: U-PVC>



■ JIS, DIN (Unit: mm)

mm	d	d'	D2	ℓ1	H	H1	H2	H3	A	JIS																						
										JIS 5K						JIS 10K						WATERWORKS						THREADED				
										D	C	n	h	t	D	C	n	h	m	L	t	D	C	n	h	m	M	L	t	d2	ℓ	L
32	40	30	120	49	239	50	107	132	120	—	—	—	—	—	135	100	4	19	—	—	165	22	—	—	—	—	—	—	—	Rc 1 1/4	22	115
40	40	—	120	49	239	50	107	132	120	120	95	4	15	165	22	140	105	4	19	—	—	165	22	—	—	—	—	—	—	Rc 1 1/2	25	115
50	50	—	130	60	270	58	134	136	130	130	105	4	15	160	23	155	120	4	19	—	—	180	23	—	—	—	—	—	Rc 2	28	130	
65	65	—	155	75	302	68	152	150	155	155	130	4	15	170	24	175	140	4	19	—	—	190	24	—	—	—	—	—	—	—	—	
75(80)	75	—	170	85	325	77	170	155	170	180	145	4	19	200	25	185	150	8	19	—	—	200	25	—	—	—	—	—	—	—	—	
100	100	—	195	110	370	89	207	163	195	200	165	8	19	230	27	210	175	8	19	—	—	230	27	—	—	—	—	—	—	—	—	
125	125	110	235	117	407	89	227	180	235	235	200	8	19	260	27	250	210	8	23	—	—	260	27	—	—	—	—	—	—	—	—	
150	150	130	270	138	445	102	263	182	270	265	230	8	19	270	28	280	240	8	23	—	—	270	28	—	—	—	—	—	—	—	—	
200	196	168	310	180	577	143	240	337	310	—	—	—	—	—	330	290	10	23	2	M20	290	28	—	—	—	—	—	—	—	—	—	
250	247	210	360	226	690	175	270	420	360	—	—	—	—	—	400	355	12	25	—	—	380	30	—	—	—	—	—	—	—	—	—	
300	298	255	410	273	800	195	320	480	410	—	—	—	—	—	445	400	14	25	2	M22	400	31	—	—	—	—	—	—	—	—	—	
350	348	297	440	319	910	230	310	600	455	—	—	—	—	—	490	445	12	25	4	M22	430	32	—	—	—	—	—	—	—	—	—	

mm	DIN											
	FLANGED					THREADED						
	D	C	n	h	n1	M	L	t	D1	d2	ℓ	L
32	—	—	—	—	—	—	—	—	—	—	—	—
40	150	110	4	18	—	—	165	22	90	Rp 1 1/2	25	115
50	165	125	4	18	—	—	180	23	90	Rp 2	28	130
65	185	145	4	18	—	—	210	24	—	—	—	—
75(80)	200	160	8	18	—	—	240	25	—	—	—	—
100	220	180	8	18	—	—	250	27	—	—	—	—
125	250	210	8	18	—	—	260	27	—	—	—	—
150	285	240	8	22	—	—	280	27	—	—	—	—
200	340	295	6	22	2	M20	300	28	—	—	—	—
250	395	350	12	22	—	—	380	30	—	—	—	—
300	445	400	10	22	2	—	400	31	—	—	—	—
350	505	460	12	22	4	—	430	32	—	—	—	—

■ ANSI (Unit: inch)

inch	mm	d	d'	D2	ℓ1	H	H1	H2	H3	A	ANSI											
											FLANGED						THREADED					
											ANSI Class150											
D	C	n	h	n1	M	L	t	d2	ℓ	L												
1 1/2	40	1.57	—	4.72	1.93	9.41	1.97	4.21	5.20	4.72	5.00	3.88	4	0.62	—	—	6.50	0.87	1 1/2-11 1/2 NPT	0.98	4.53	
2	50	1.97	—	5.12	2.36	10.63	2.28	5.28	5.35	5.12	6.00	4.75	4	0.75	—	—	7.00	0.91	2-11 1/2 NPT	1.10	5.12	
2 1/2	65	2.56	—	6.10	2.95	11.89	2.68	5.98	5.91	6.10	7.00	5.50	4	0.75	—	—	7.50	0.94	—	—	—	
3	75(80)	2.95	—	6.69	3.35	12.80	3.03	6.69	6.10	6.69	7.00	6.00	4	0.75	—	—	8.00	0.98	—	—	—	
4	100	3.94	—	7.68	4.33	14.57	3.50	8.15	6.42	7.68	9.00	7.50	8	0.75	—	—	9.00	1.06	—	—	—	
5	125	4.92	4.33	9.25	4.61	16.02	3.50	8.94	7.09	9.25	10.00	8.50	8	0.88	—	—	10.24	1.06	—	—	—	
6	150	5.91	5.12	10.63	5.43	17.52	4.02	10.35	7.17	10.63	11.00	9.50	8	0.88	—	—	10.50	1.06	—	—	—	
8	200	7.72	6.61	12.20	7.09	22.72	5.63	9.45	13.27	12.20	13.50	11.75	6	0.88	2	W 3/4	11.50	1.30	—	—	—	
10	250	9.72	8.27	14.17	8.90	27.17	6.89	10.63	16.54	14.17	16.00	14.25	12	1.00	—	—	14.96	1.18	—	—	—	
12	300	11.73	10.04	16.14	10.75	31.50	7.68	12.60	18.90	16.14	19.00	17.00	10	1.00	2	W7/8	15.75	1.22	—	—	—	
14	350	13.70	11.69	17.32	12.66	35.83	9.06	12.20	23.62	17.91	21.00	18.75	8	1.12	4	W1	16.93	1.26	—	—	—	