

# GATE VALVE OUTSIDE SCREW SECTION VALVE (FOR VACUUM SEWAGE)

- THE CHANNEL SURFACE FREE FROM IRREGULARITIES ALLOWS FOR SMOOTH FLOW. THE RUBBER SOFT SEAL ENSURES EXCELLENT WATER TIGHTNESS.
- THE STEM SCREW IS NOT EXPOSED TO THE FLUID, NO FOREIGN OBJECT DOES NOT ENTER.
- COMPACT DESIGN ALLOWS FOR SHALLOW DEPTH MOUNTING.

( Size 100 mm, 150 mm — Applicable to a burial depth of 600 mm. )  
 ( Size 200 mm — Applicable to a burial depth of 700 mm. )  
 ( Size 250 mm — Applicable to a burial depth of 800 mm. )

## BASIC SPECIFICATIONS

**VALVE TYPE** — GATE VALVE OUTSIDE SCREW SECTION VALVE (FOR VACUUM SEWAGE)

**SIZE** — 100 mm, 150 mm, 200 mm, 250 mm (4 inch, 6 inch, 8 inch, 10 inch)

**BODY MATERIAL** — HI-PVC

**SEAL MATERIAL / SEAT** — SBR

**O-RING** — EPDM

**CONNECTION / FLANGED** — JIS10K

	FLUID TEMPERATURE	MAXIMUM WORKING PRESSURE (NORMAL TEMPERATURE) MPa(kgf/cm <sup>2</sup> )		CONNECTION METHOD
		100mm-200mm	250mm	FLANGED
HI-PVC	-10°C ~ 50°C	1.0 {10.2}	0.75 {7.7}	○

**NOTES** The maximum working pressure is the value including the water hammer pressure. Be careful that the maximum working pressure is not exceeded during use.

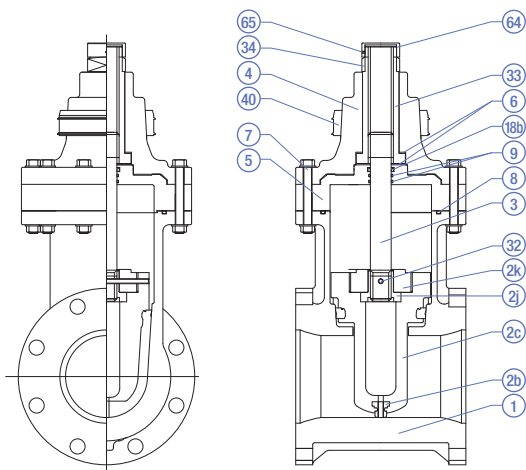
\* Concerning the allowable pressure for each temperature and material, see the technical documents at the end of this catalog.

MANUAL

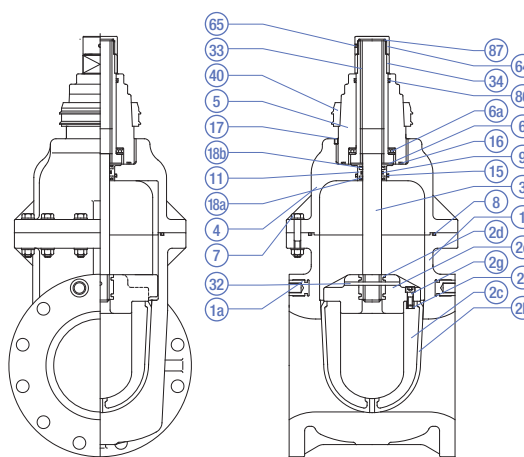


## PARTS LIST MANUAL

100 mm – 150 mm (4 inch – 6 inch)



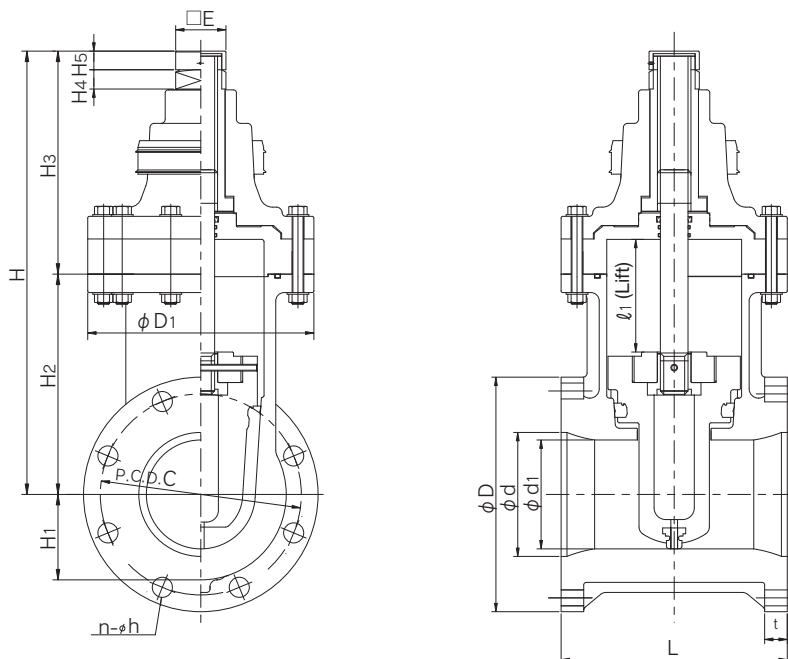
200 mm – 250 mm (8 inch – 10 inch)



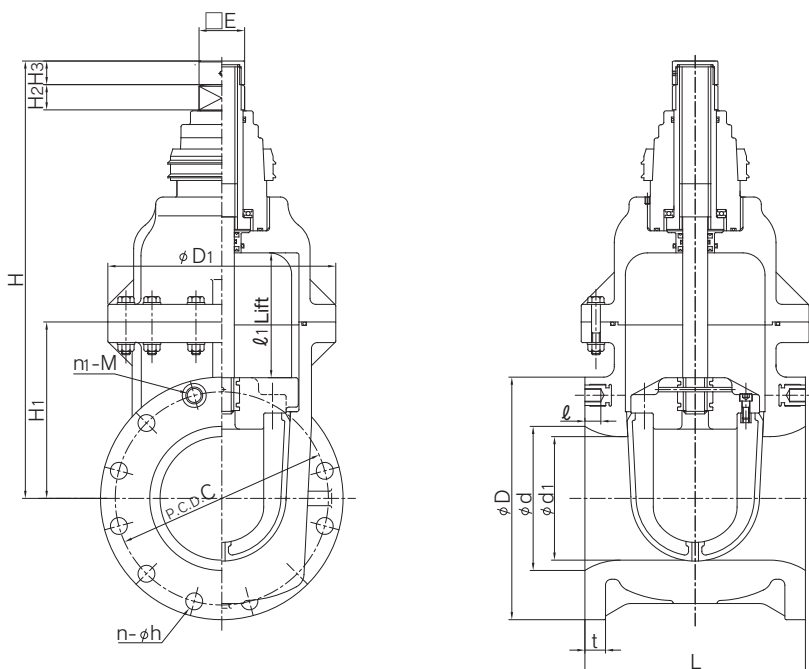
PART NO. / NAME	QTY	MATERIAL	PART NO. / NAME	QTY	MATERIAL	PART NO. / NAME	QTY	MATERIAL
1 BODY	1	HI-PVC	4 BONNET (LID) (A)	1	HI-PVC	18b DUST SEAL (B)	1	NBR
1a EMBEDDED BODY FITTING (5)	4	C3604	5 BONNET (LID) (B)	1	HI-PVC, U-PVC	32 PIN (A)	1	SUS304
2b SEAT	1	SBR	6 THRUST RING (4)	2	PP	33 SLEEVE	1	C3604
2c GATE (BODY) (A)	1	HI-PVC, C-PVC	6a THRUST BEARING (5)	1	SUJ2	34 NUT (3)	1	SUS403
2d GATE (BODY) EMBEDDED FITTING (A) (1)	1	SUS303	7 BOLT, NUT, WASHER	—	SUS304	40 ADAPTER	1	NBR
2e GATE (BODY) (B) (1)	1	HI-PVC	8 O-RING (B)	1	EPDM	64 CAP (D)	1	SUS304
2f GATE (BODY) EMBEDDED FITTING (B) (1)	4	SUS304	9 O-RING (C)	2-1	EPDM	65 SET SCREW (C)	1	SUS304
2g BOLT (A) (1)	4	SUS304	11 BUSH (B) (1)	1	PP	66 O-RING (NJ) (1)	1	EPDM
2h INTERNAL THREAD DEFLECTOR (2)	1	SUS304	16 O-RING (D) (1)	2	EPDM	67 O-RING (O) (1)	1	EPDM
2k DEFLECTOR RETAINER (2)	1	HI-PVC	17 SET SCREW (A) (1)	1	SUS304			
3 STEM	1	SUS304	18a DUST SEAL (A) (1)	1	EPDM			

**NOTES** (1) is used for sizes of 200 mm or more. (2) is used for sizes of 150 mm or less. (3) is used for sizes of 200 mm or less. (4) is used in a quantity of 1 piece for 200 and 250 mm. (5) is used only for 200 mm.

100 mm – 150 mm (4 inch – 6 inch)



200 mm – 250 mm (8 inch – 10 inch)



■ JIS (Unit: mm)

													JIS10K							
mm	d	d'	D <sub>1</sub>	ℓ <sub>1</sub>	E	H <sub>1</sub>	H <sub>2</sub>	H <sub>3</sub>	H <sub>4</sub>	H <sub>5</sub>	H	D	C	n	h	n <sub>1</sub>	M	ℓ	L	t
100	100	—	195	102	60	89	207	223	23	26	430	210	175	8	19	—	—	—	230	27
150	150	130	270	132	60	102	263	267	23	26	530	280	240	8	23	—	—	—	270	28
200	196	168	310	175	60	240	39	27	—	—	607	330	290	10	23	2	M20	20	290	28
250	247	210	360	219	60	270	44	27	—	—	743	400	355	12	25	—	—	—	380	30